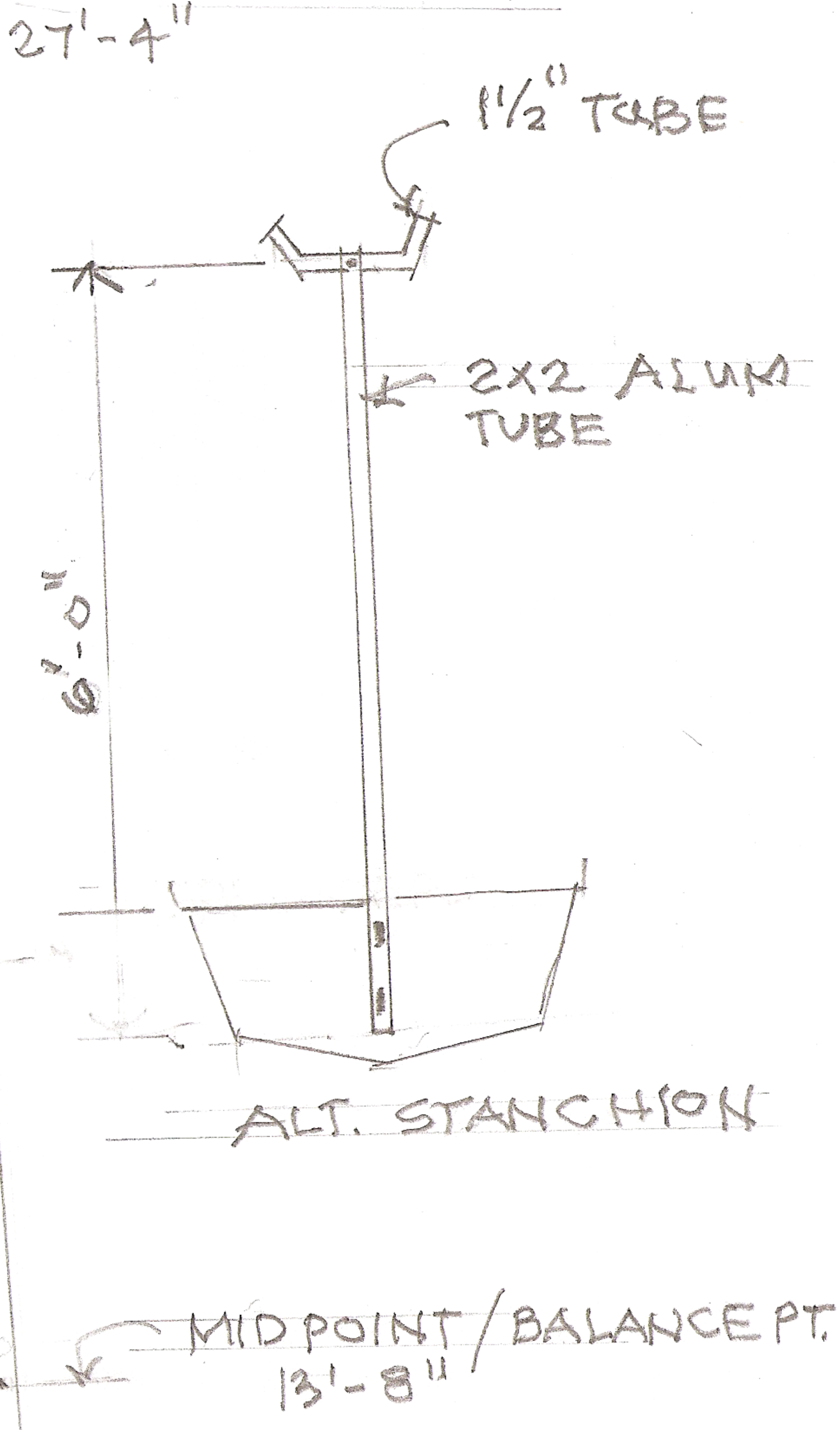
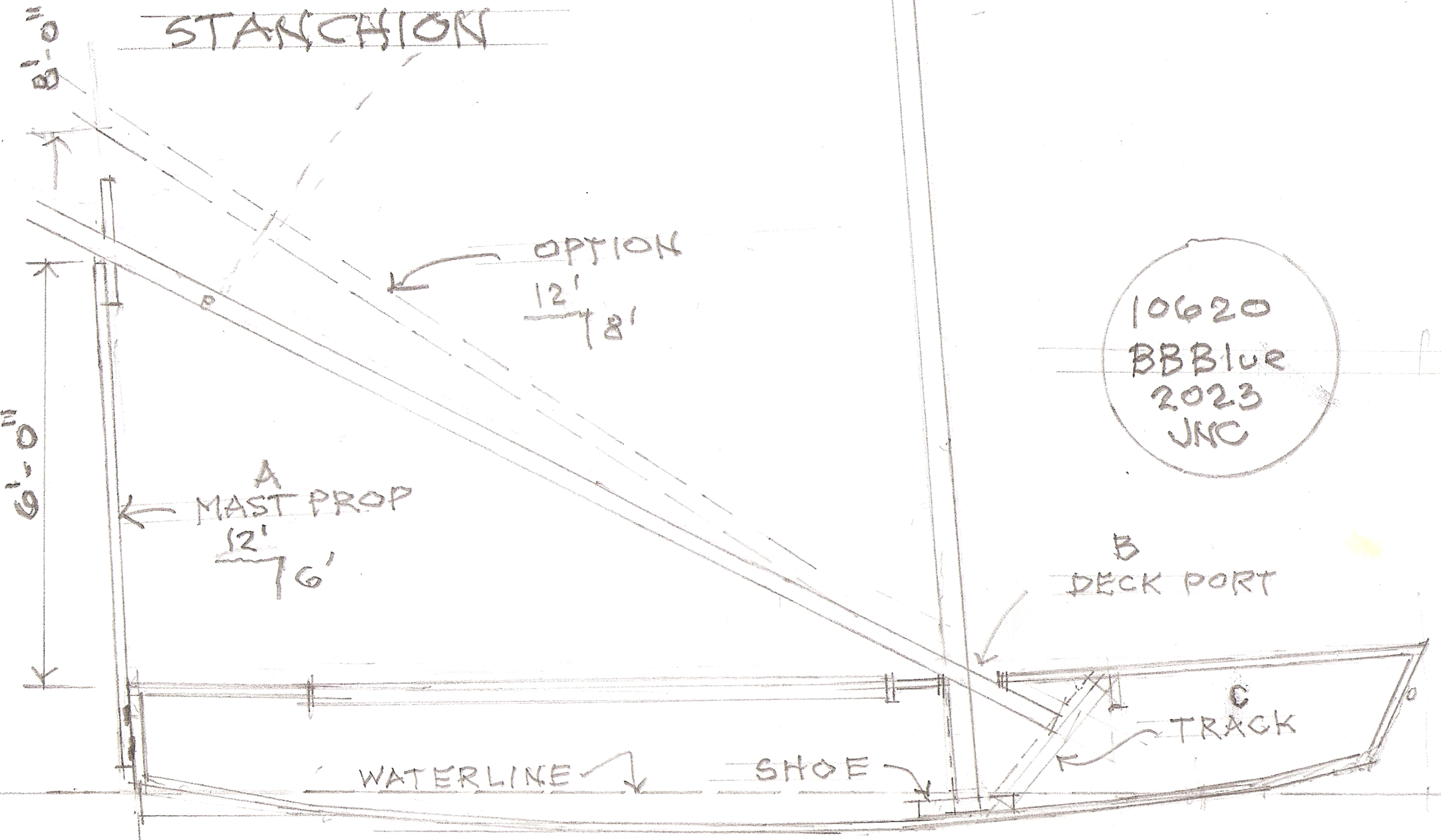


DETAIL A  
STANCHION



ALT. STANCHION



10620  
BBBlue  
2023  
JNC

A  
MAST PROP  
12' 6"

OPTION  
12' 8"

B  
DECK PORT

C  
TRACK

WATERLINE

SHOE

27'-4"

1 1/2" TUBE

2x2 ALUM TUBE

SPREADERS

PINTLES TO MATCH RUDDER

MID POINT / BALANCE PT.  
13'-8"

8'-0"

6'-0"

6'-0"

18" ±

18"

2x4  
2x4

8'-0"

6'-0"

ALT. STANCHION